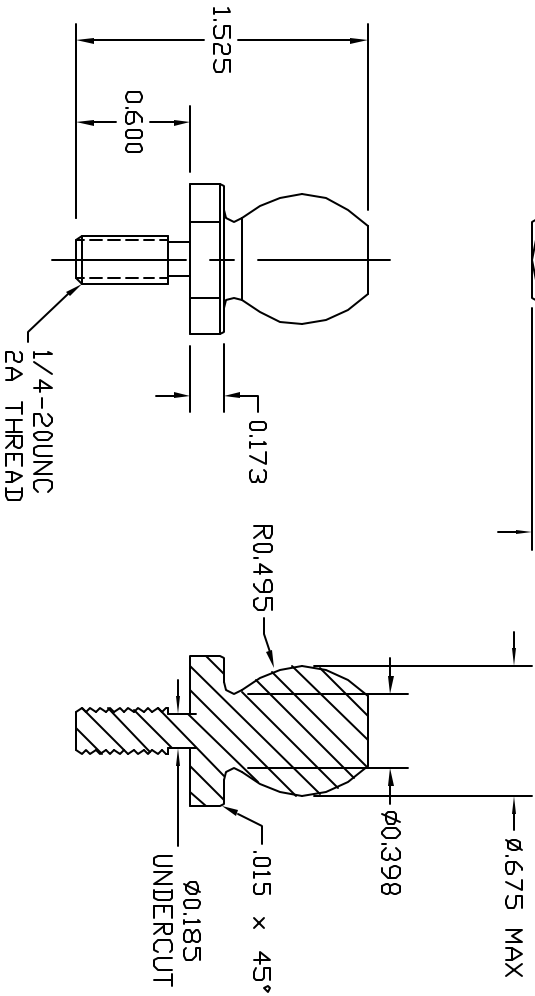


①  
0.687 MAX / 0.673 MIN  
WIDTH BETWEEN  
FLATS



②  
Ø0.675 MAX

# APPROVED

AS DRAWN: \_\_\_\_\_

AS NOTED: \_\_\_\_\_

DATE: \_\_\_\_\_

THIS DOCUMENT AND THE CONTENTS THEREOF IS THE PROPERTY OF HARGER INC., AND IS FURNISHED TO YOU FOR INFORMATION ONLY. THE INFORMATION CONTAINED HEREIN IS CONFIDENTIAL AND OF A PROPRIETARY NATURE AND MUST NOT BE DISCLOSED TO THIRD PARTIES WITHOUT THE EXPRESS WRITTEN APPROVAL OF HARGER INC.

LET	REVISION	DATE	BY
B	.675 was .687	080409	BK
A	ADD HEX TOLERANCE	081704	EHS

TOLERANCES UNLESS NOTED:  
FRACTIONAL +/- 1/64  
.00 +/- .010  
.000 +/- .005

PART NO. BBSTUD14  
GROUND RECEPTACLE STUD

DRAWN BY: EHS  
CHECKED BY:

DATE: 030102



301 ZIEGLER DRIVE  
GRAYS LAKE, IL 60030  
(847) 548-8700

REVISION: B

SCALE: FULL

SHEET 1 OF 1