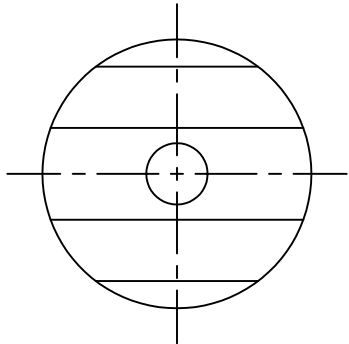
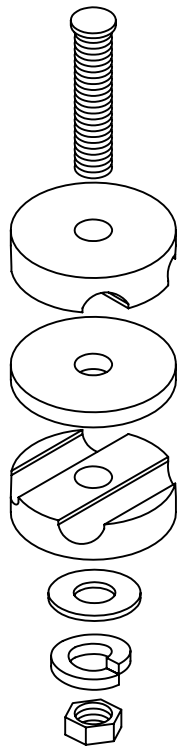
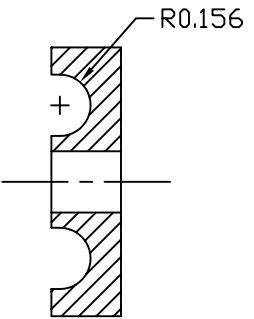


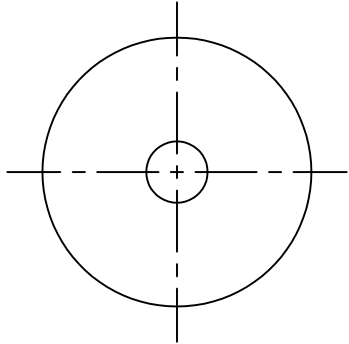
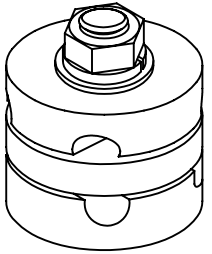
PARTS ARE
TIN PLATED



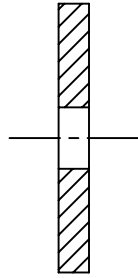
TOP & BOTTOM



ASSEMBLY
SCALE 1:2



MIDDLE



COMPUTER ROOM GROUND CLAMP

EST. WEIGHT 0.37 LBS

APPROVED

AS DRAWN: _____
 AS NOTED: _____
 DATE: _____

THIS DOCUMENT AND THE CONTENTS THEREOF IS THE PROPERTY OF HARGER INC., AND IS FURNISHED TO YOU FOR INFORMATION ONLY. THE INFORMATION CONTAINED HEREIN IS CONFIDENTIAL AND OF A PROPRIETARY NATURE AND MUST NOT BE DISCLOSED TO THIRD PARTIES WITHOUT THE EXPRESS WRITTEN APPROVAL OF HARGER INC.

A	ADDED PKG & RUN TIME	061103	WSM
LET	REVISION	DATE	BY
TOLERANCES UNLESS NOTED:		3RD ANGLE PROJECTION	
FRACTIONAL	+/- 1/16		
.00	+/- .030		
.000	+/- .010		

PART NO. CRGC2
 COMPUTER ROOM GROUND CLAMP FOR #2 AWG WIRE

DRAWN BY:
KAB
 CHECKED BY:
-
 DATE:
070198

HARGER
 301 ZIEGLER DRIVE
 GRAYSLAKE, IL 60030
 (847) 548-8700

REVISION:
A
 SCALE:
FULL
 SHEET:
1 OF 1