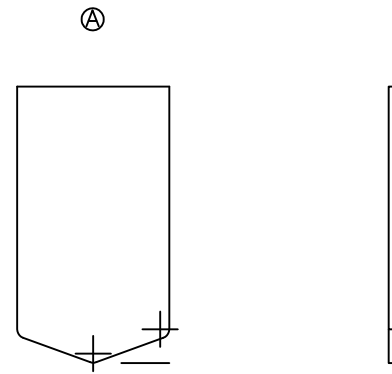
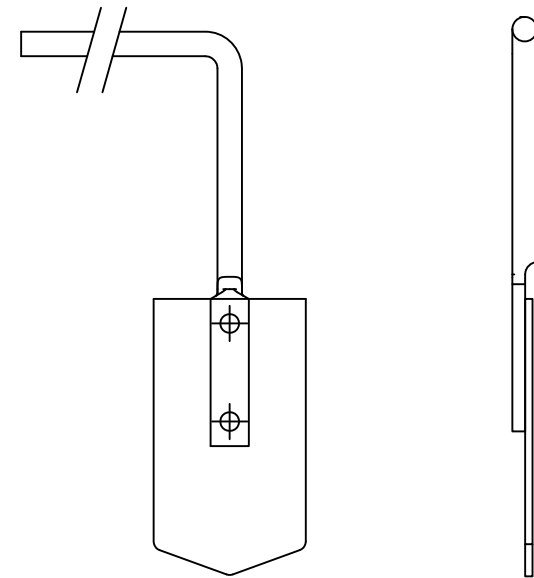


ARM



SPADE



ASSEMBLY :NTS
CLEAR ZINC PLATE

EST WT 0.26#

APPROVED

AS DRAWN: _____
 AS NOTED: _____
 DATE: _____

THIS DOCUMENT AND THE CONTENTS THEREOF IS THE PROPERTY OF HARGER INC., AND IS FURNISHED TO YOU FOR INFORMATION ONLY. THE INFORMATION CONTAINED HEREIN IS CONFIDENTIAL AND OF A PROPRIETARY NATURE AND MUST NOT BE DISCLOSED TO THIRD PARTIES WITHOUT THE EXPRESS WRITTEN APPROVAL OF HARGER INC.

A	1.55 WAS 1.80	051810	BK
LET	REVISION	DATE	BY
TOLERANCES UNLESS NOTED:			
	FRACTIONAL	+/-	1/16
	.00	+/-	.030
	.000	+/-	.010

PART NO. MCSPD150/400
MOLD CLEANING SPADE

DRAWN BY:
BK
CHECKED BY:
DATE:
120809

HARGER™
 301 ZIEGLER DRIVE
 GRAYSLAKE, IL 60030
 (847) 548-8700

REVISION:
A
SCALE:
1/2
SHEET:
1 OF 1