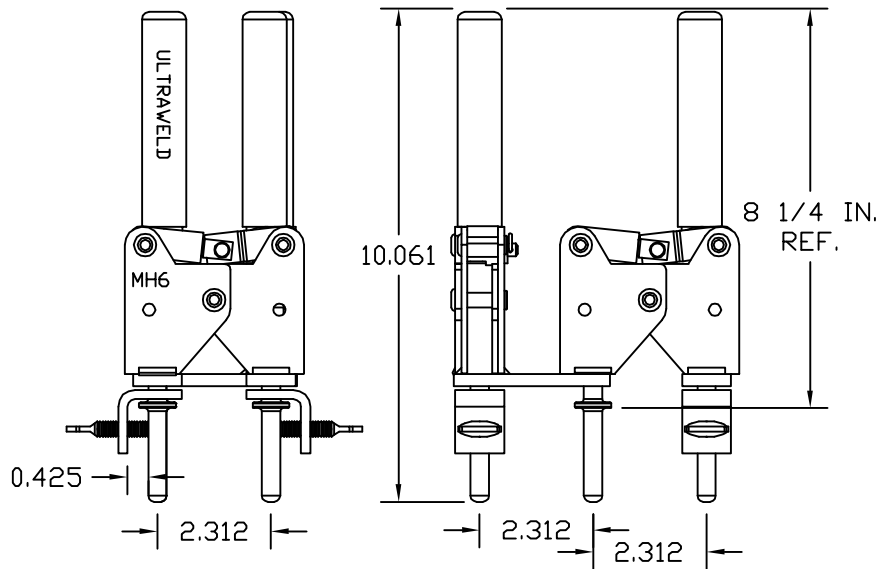
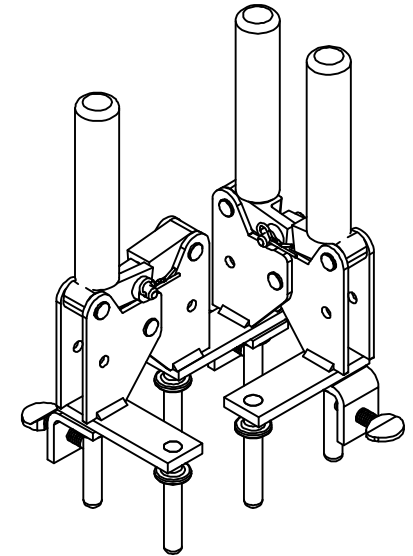
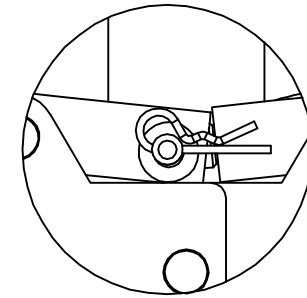
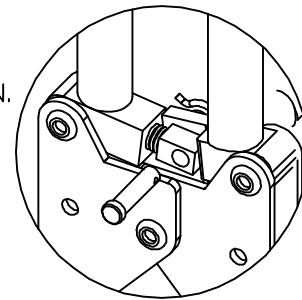


RIVETING DETAIL



ASSEMBLY DETAIL



EST WT 4.7#

APPROVED

AS DRAWN: \_\_\_\_\_  
 AS NOTED: \_\_\_\_\_  
 DATE: \_\_\_\_\_

THIS DOCUMENT AND THE CONTENTS THEREOF IS THE PROPERTY OF HARGER INC., AND IS FURNISHED TO YOU FOR INFORMATION ONLY. THE INFORMATION CONTAINED HEREIN IS CONFIDENTIAL AND OF A PROPRIETARY NATURE AND MUST NOT BE DISCLOSED TO THIRD PARTIES WITHOUT THE EXPRESS WRITTEN APPROVAL OF HARGER INC.

C	ECO 0189 REMOVE IGN	052819	WBD
B	ENGRAVE PN ECO 0185	040319	WBD
A	ADDED IGNITER	062316	LAL
LET	REVISION	DATE	BY
TOLERANCES UNLESS NOTED:			
	FRACTIONAL	+/- 1/16	
	.00	+/- .030	
	.000	+/- .010	

PART NO. MH6  
 MOLD HANDLE W/IGNITER

DRAWN BY:  
 LAL  
 CHECKED BY:  
 DATE:  
 081215



301 ZIEGLER DRIVE  
 GRAYSLAKE, IL 60030  
 (847) 548-8700

REVISION:  
 C  
 SCALE:  
 1/4  
 SHEET:  
 1 OF 1