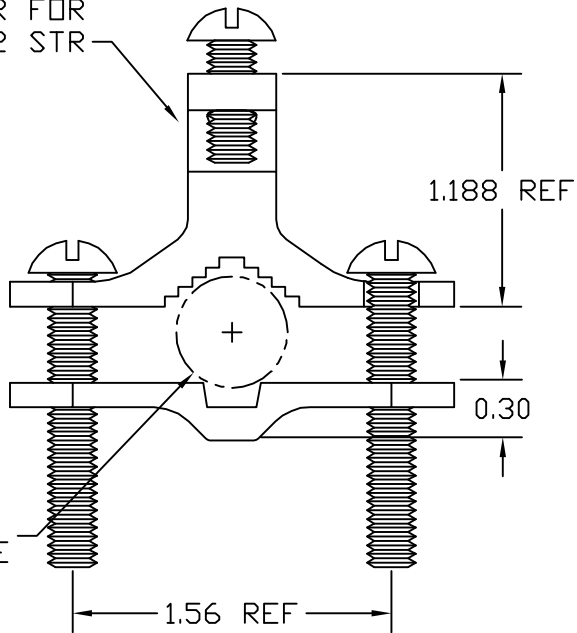
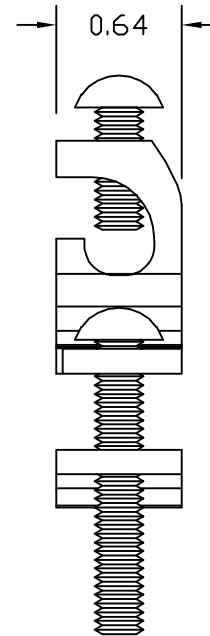


LAY-IN CONNECTOR FOR  
10 SOL TO 2 STR



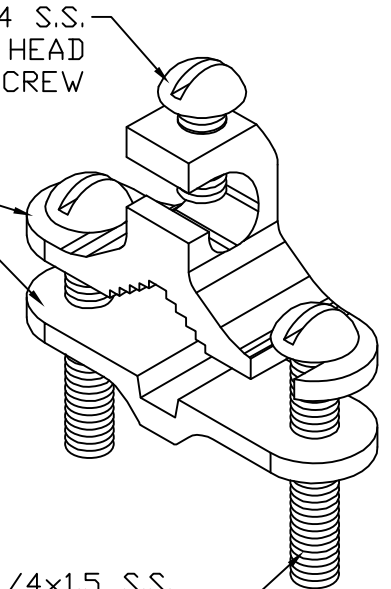
3/8 TO 1 IN. STEEL  
1/2 TO 1 IN. NOM. PIPE

HIGH CONDUCTIVITY  
COPPER ALLOY



1/4x3/4 S.S.  
ROUND HEAD  
SCREW

1/4x1.5 S.S.  
ROUND HEAD  
SCREW (2)



SUITABLE FOR DIRECT BURIAL  
IN EARTH AND CONCRETE

### REBAR WATER PIPE GROUNDING CLAMP

EST WT 0.19#

# APPROVED

AS DRAWN: \_\_\_\_\_  
 AS NOTED: \_\_\_\_\_  
 DATE: \_\_\_\_\_

THIS DOCUMENT AND THE CONTENTS THEREOF IS THE PROPERTY OF HARGER INC., AND IS FURNISHED TO YOU FOR INFORMATION ONLY. THE INFORMATION CONTAINED HEREIN IS CONFIDENTIAL AND OF A PROPRIETARY NATURE AND MUST NOT BE DISCLOSED TO THIRD PARTIES WITHOUT THE EXPRESS WRITTEN APPROVAL OF HARGER INC.

LET	REVISION	DATE	BY
-	-	-	-
TOLERANCES UNLESS NOTED: FRACTIONAL +/- 1/16 DECIMAL +/- .030 REMOVE ALL BURRS/FLASH			
		3RD ANGLE PROJECTION	

**PART NO. RB12B**  
GROUNDING CLAMP

DRAWN BY:  
**BK**  
CHECKED BY:  
DATE:  
082306



301 ZIEGLER DRIVE  
GRAYS LAKE, IL 60030  
(847) 548-8700

REVISION:  
A  
SCALE:  
FULL  
SHEET:  
1 OF 1