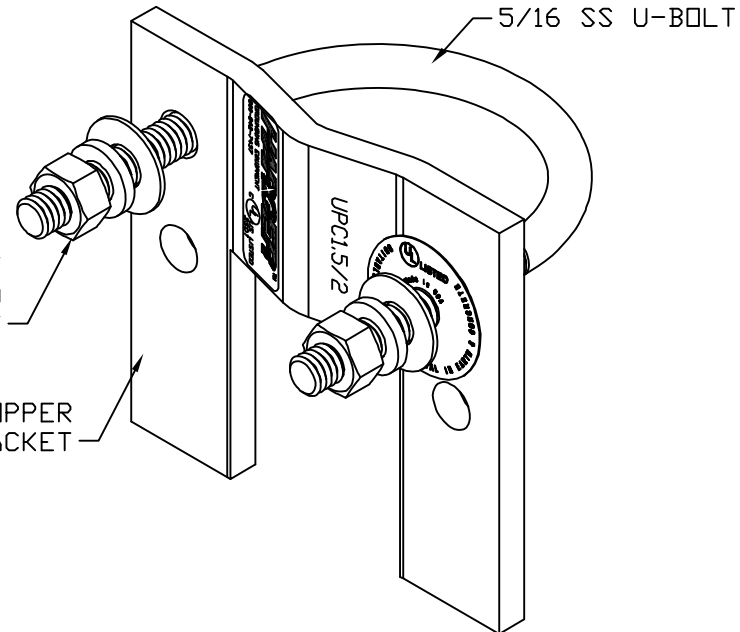


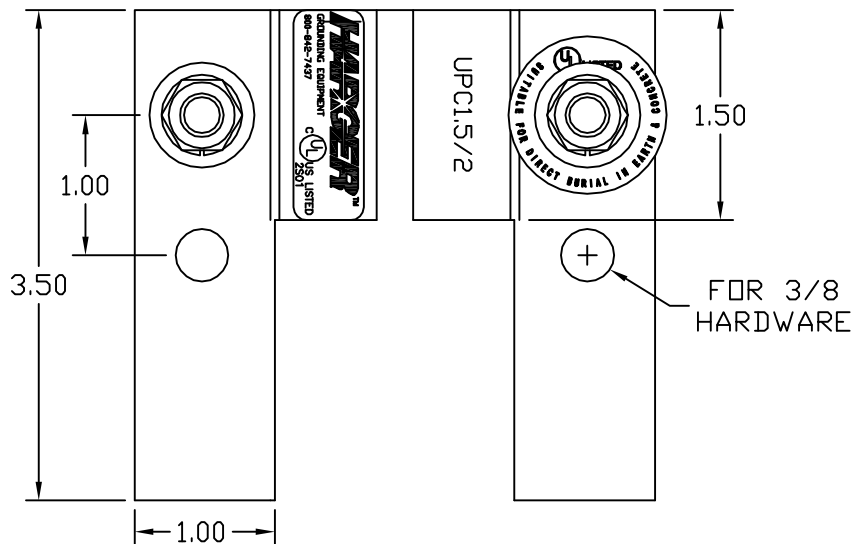
DIRECT BURIAL LABEL

5/16 SS FLAT WASHER AND HEX NUT

TINNED COPPER BRACKET



ASSEMBLY VIEW
(SHIPS UNASSEMBLED)



UNIVERSAL PIPE CLAMP
1.5 TO 2 IN. NOM. PIPE

EST WT 1.3#

APPROVED

AS DRAWN: _____
 AS NOTED: _____
 DATE: _____

THIS DOCUMENT AND THE CONTENTS THEREOF IS THE PROPERTY OF HARGER INC., AND IS FURNISHED TO YOU FOR INFORMATION ONLY. THE INFORMATION CONTAINED HEREIN IS CONFIDENTIAL AND OF A PROPRIETARY NATURE AND MUST NOT BE DISCLOSED TO THIRD PARTIES WITHOUT THE EXPRESS WRITTEN APPROVAL OF HARGER INC.

D	PN FOR BRACKET	033108	LAL
C	ADDED DB LABEL	122007	LAL
B	ADDED LW5S (2)	090899	KAB
A	ADDED PN UBOLT2.750A	072199	KAB
LET	REVISION	DATE	BY
TOLERANCES UNLESS NOTED:		3RD ANGLE PROJECTION	
FRACTIONAL +/- 1/16			
DECIMAL +/- .030			
BREAK SHARP EDGES			

PART NO. UPC1.5/2
UNIVERSAL PIPE CLAMP

DRAWN BY: KAB
 CHECKED BY: _____
 DATE: 021100



301 ZIEGLER DRIVE
GRAYSLAKE, IL 60030
(847) 548-8700

REVISION: D
 SCALE: 3/4
 SHEET: 1 OF 1