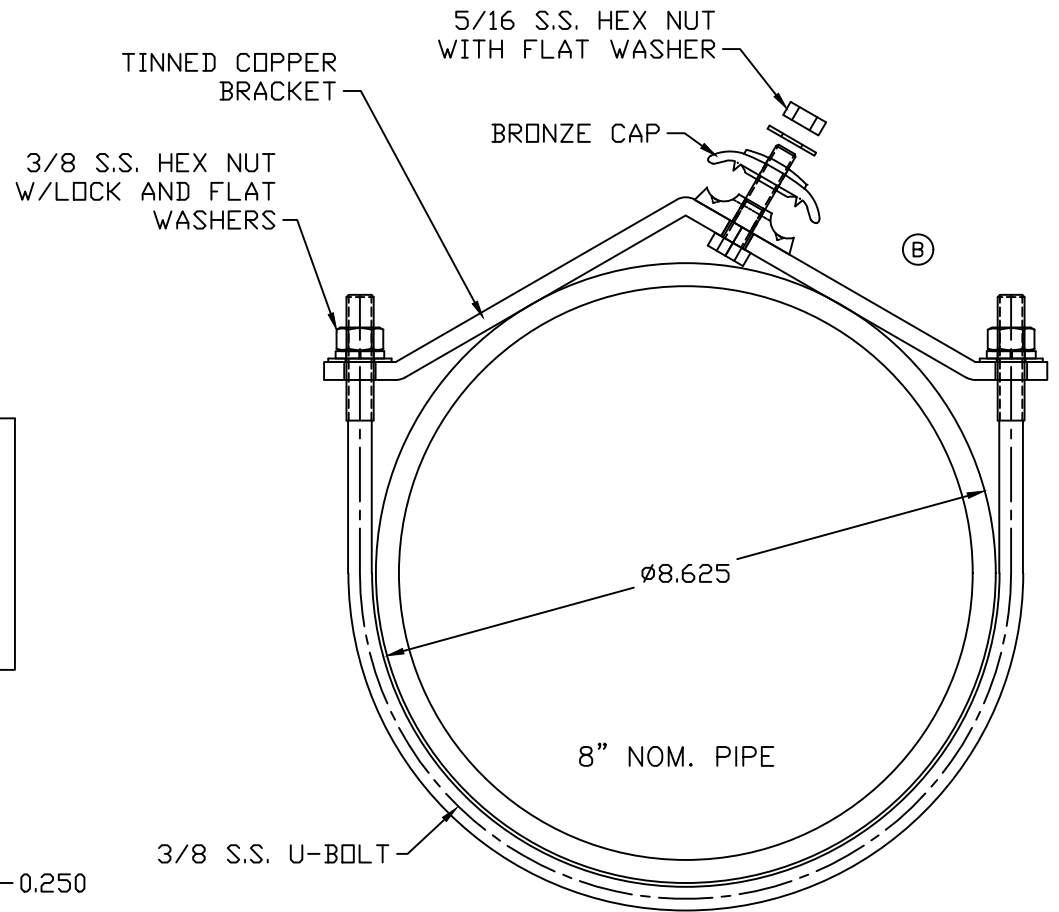


TIN PLATED COPPER BRACKET



COPPER UNIVERSAL PIPE CLAMP 8 IN.

EST WT 2.63#

APPROVED

AS DRAWN: _____
 AS NOTED: _____
 DATE: _____

THIS DOCUMENT AND THE CONTENTS THEREOF IS THE PROPERTY OF HARGER INC., AND IS FURNISHED TO YOU FOR INFORMATION ONLY. THE INFORMATION CONTAINED HEREIN IS CONFIDENTIAL AND OF A PROPRIETARY NATURE AND MUST NOT BE DISCLOSED TO THIRD PARTIES WITHOUT THE EXPRESS WRITTEN APPROVAL OF HARGER INC.

B	WAS R160	040612	BK
A	MOVE CLAMP TO OTHER LEG	112502	EHS
LET	REVISION	DATE	BY
TOLERANCES UNLESS NOTED:		3RD ANGLE PROJECTION	
FRACTIONAL	+/- 1/16		
DECIMAL	+/- .030		
BREAK SHARP EDGES			

PART NO. UPC8C
 UNIVERSAL PIPE CLAMP

DRAWN BY:
 LAL
 CHECKED BY:
 DATE:
 110402



301 ZIEGLER DRIVE
 GRAYSLAKE, IL 60030
 (847) 548-8700

REVISION:
 B
 SCALE:
 3/8
 SHEET:
 1 OF 1