

# HARGER®



## Grounding Pipe Clamps

Industry Leading Design



# Pipe Clamps

- Pipe clamps for Lightning Protection and Grounding copper conductor.
- Used on pipes, conduit, fence posts, pedestals, rebar, railings, etc.
- Dual UL Listing (UL96 and UL467).
- Rated for direct burial in earth and concrete.
- Conductor range #6 Solid through 250 MCM.
- Silicon Bronze hardware available.

## Pipe Range .5/.75

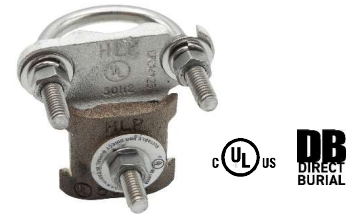
Part No.	Nominal Pipe Size Range	Pipe Outside Diameter
CPC.5/.75	.5" - .75"	0.375" - 1"



## Pipe Range 1/1.25

Part No.	Nominal Pipe Size Range	Pipe Outside Diameter
CPC1/1.25	1" - 1.25"	0.9375" - 1.7"

- Features a quick connect, bi-directional design.
- Pressed stud design ensures a flush mounting surface.



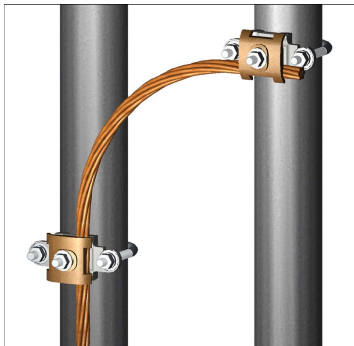
## Pipe Range 1.5/2 - 5/6

Part No.	Nominal Pipe Size Range	Pipe Outside Diameter
CPC1.5/2	1.5" - 2"	1.25" - 2.4"
CPC2.5/3	2.5" - 3"	2.5" - 3.5"
CPC3.5/4	3.5" - 4"	3.375" - 4.5"
CPC5/6	5" - 6"	4.75" - 6.63"

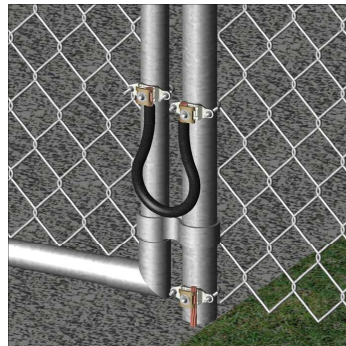
- Features a quick connect, bi-directional design.
- Pressed stud design ensures a flush mounting surface.



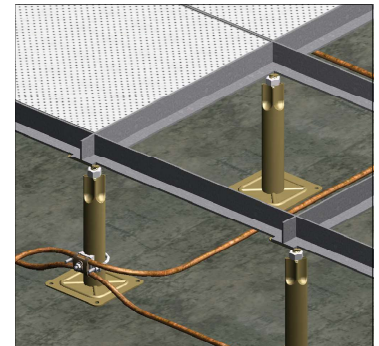
Fence Post Application



Bi-directional Design



Fence Gate Application



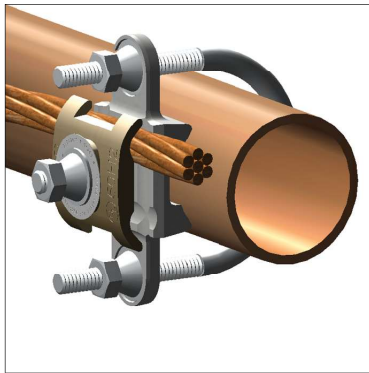
Pedestal Application

# Tamper Proof CPC Pipe Clamps

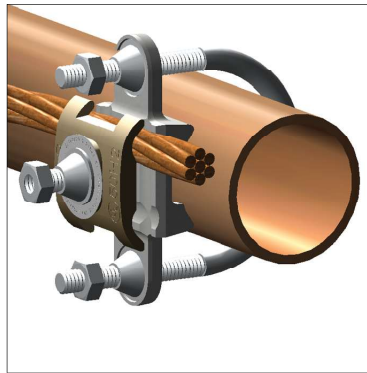
Tamper Proof option has break away nuts to reduce theft.

Tamper Proof	Nominal Pipe Size Range	Pipe Outside Diameter
CPC.5/.75TP	.5" - .75"	0.375" - 1"
CPC1/1.25TP	1" - 1.25"	0.9375" - 1.7"
CPC1.5/2TP	1.5" - 2"	1.25" - 2.4"
CPC2.5/3TP	2.5" - 3"	2.5" - 3.5"
CPC3.5/4TP	3.5" - 4"	3.375" - 4.5"
CPC5/6	5" - 6"	4.75" - 6.63"

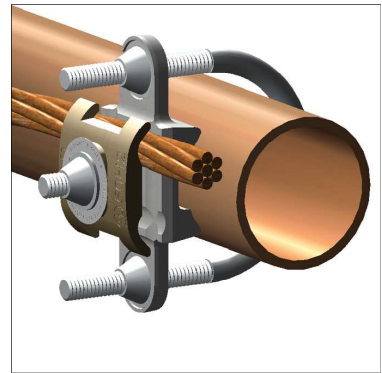
- Features a quick connect, bi-directional design.
- Pressed stud design ensures a flush mounting surface.
- Nuts break away at approximately 120 in/lbs.



Tamper Proof: Step 1



Tamper Proof: Step 2



Completed Installation

# Universal Pipe Clamps

- Provides 1-1/2" of contact area for sufficient electrical contact for both ground fault and lightning current.
- Manufactured from electro tinned copper and feature stainless steel hardware.
- Connect to ground conductors via exothermic connections and/or standard compression lugs.
- Lug ends are 1/4" x 1" and have holes that are 3/8" diameter 1" on center spacing.
- Dual UL Listing (UL96 and UL467).



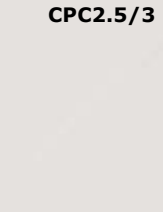
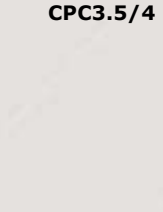
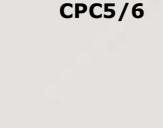
Part No.	Nominal Pipe Size Range	Pipe Outside Diameter
UPC.75/1.25*	.75" - 1.25"	1" - 1.25"
UPC1.5/2	1.5" - 2"	1.25" - 2.4"
UPC2.5/3	2.5" - 3"	2.5" - 3.5"
UPC3.5/4	3.5" - 4"	3.375" - 4.5"
UPC5/6	5" - 6"	4.75" - 6.63"

\* UPC.75/1.25 provides bi-directional capabilities.



# CPC Cross Reference

Harger's CPC Series of Pipe Ground Clamps reduce inventory and increase profits by providing greater range taking capacity. Harger's 6 CPC Pipe Clamps replace up to 93 different BURNDY® Series Clamps. Only Harger's CPC Series Clamps are UL listed for both electrical grounding and lightning protection.

	Harger Part	BURNDY® GAR Part	BURNDY® GD Part	BURNDY® GP Part	Harger Conductor Range	Harger Actual OD Range
	<b>CPC.5/.75</b>	GAR114C*		GP114C*	#6 Solid - 250 MCM	0.375" - 1"
		GAR1126		GP1126		
		GAR1129		GP1129		
		GAR644C*		GP644C*		
		GAR6426		GP6426		
		GAR6429		GP6429		
		GAR144C*		GP144C*		
		GAR1426		GP1426		
		GAR1429		GP1429		
	<b>CPC1/1.25</b>	GAR144C*		GP144C*	#6 Solid - 250 MCM	0.9375" - 1.7"
		GAR1426		GP1426		
		GAR1429		GP1429		
		GAR154C*				
		GAR1526	GD1526			
		GAR1529	GD1529			
		GAR164C*		GP164C*		
		GAR1626	GD1626			
		GAR1629	GD1629	GP1629		
	<b>CPC1.5/2</b>	GAR154C*			#6 Solid - 250 MCM	1.25" - 2.4"
		GAR1526	GD1526			
		GAR1529	GD1529			
		GAR164C*		GP164C*		
		GAR1626	GD1626			
		GAR1629	GD1629	GP1629		
		GAR174C*	GD174C*			
		GAR1726	GD1726	GP1726		
		GAR1729	GD1729			
		GAR184C*	GD184C*	GP184C*		
		GAR1826	GD1826	GP1826		
		GAR1829	GD1829			
	<b>CPC2.5/3</b>	GAR194C*	GD194C*		#6 Solid - 250 MCM	2.5" - 3.5"
		GAR1926	GD1926			
		GAR1929	GD1929			
		GAR204C*	GD204C*			
		GAR2026	GD2026	GP2026		
		GAR2029	GD2029			
	<b>CPC3.5/4</b>	GAR214C*	GD214C*		#6 Solid - 250 MCM	3.375" - 4.5"
		GAR2126	GD2126			
		GAR2129	GD2129			
		GAR224C*	GD224C*			
		GAR2226	GD2226	GP1226		
		GAR2229	GD2229			
	<b>CPC5/6</b>	GAR224C*			#6 Solid - 250 MCM	4.75" - 6.63"
		GAR2426				
		GAR2429				
		GAR8629				



BURNDY® is a registered trademark of FCI-BURNDY Products  
 \*BURNDY® Part # has a #8 Solid minimum

