

# Solar Power

## Grounding and Bonding Solutions

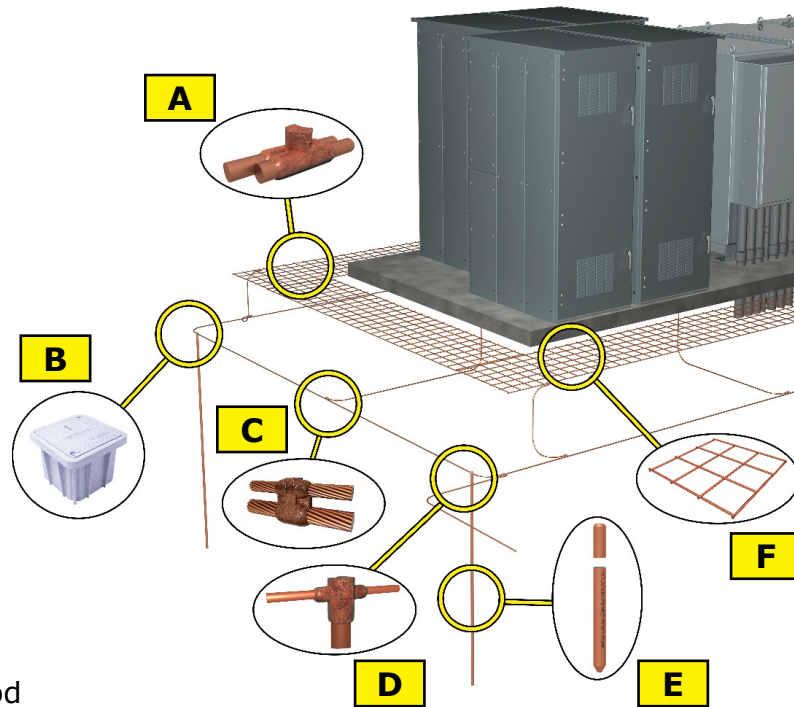
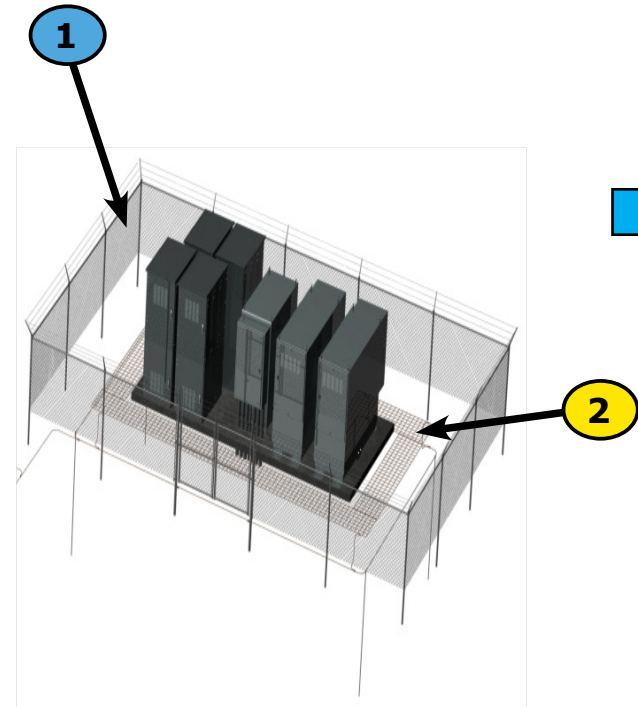
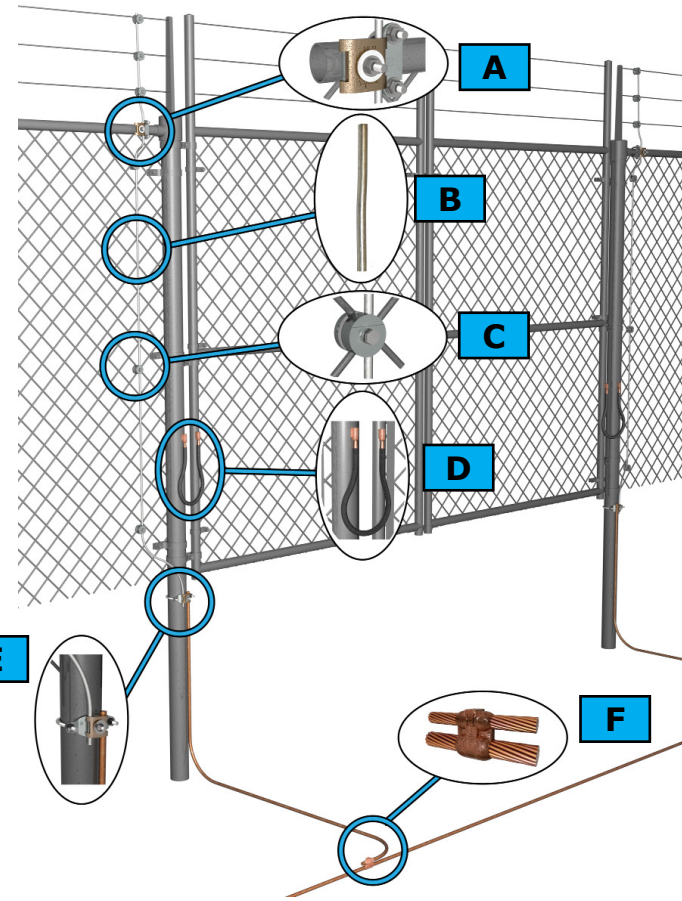


**HARGER**<sup>®</sup>

Grounding • Exothermic • Lightning Protection

# Fence Grounding

- 1**
- A. CPC Pipe Clamp
  - B. Tinned Conductor
  - C. FGC Fence Fabric Clamp
  - D. GJX Flexible Gate Jumper
  - E. CPC Pipe Clamp
  - F. PT Ultraweld Connection



- 2**
- A. PS Ultraweld Connection
  - B. Ground Access Well
  - C. PT Ultraweld Connection
  - D. GO Ultraweld Connection
  - E. Copper Bonded Ground Rod
  - F. Ground Mesh

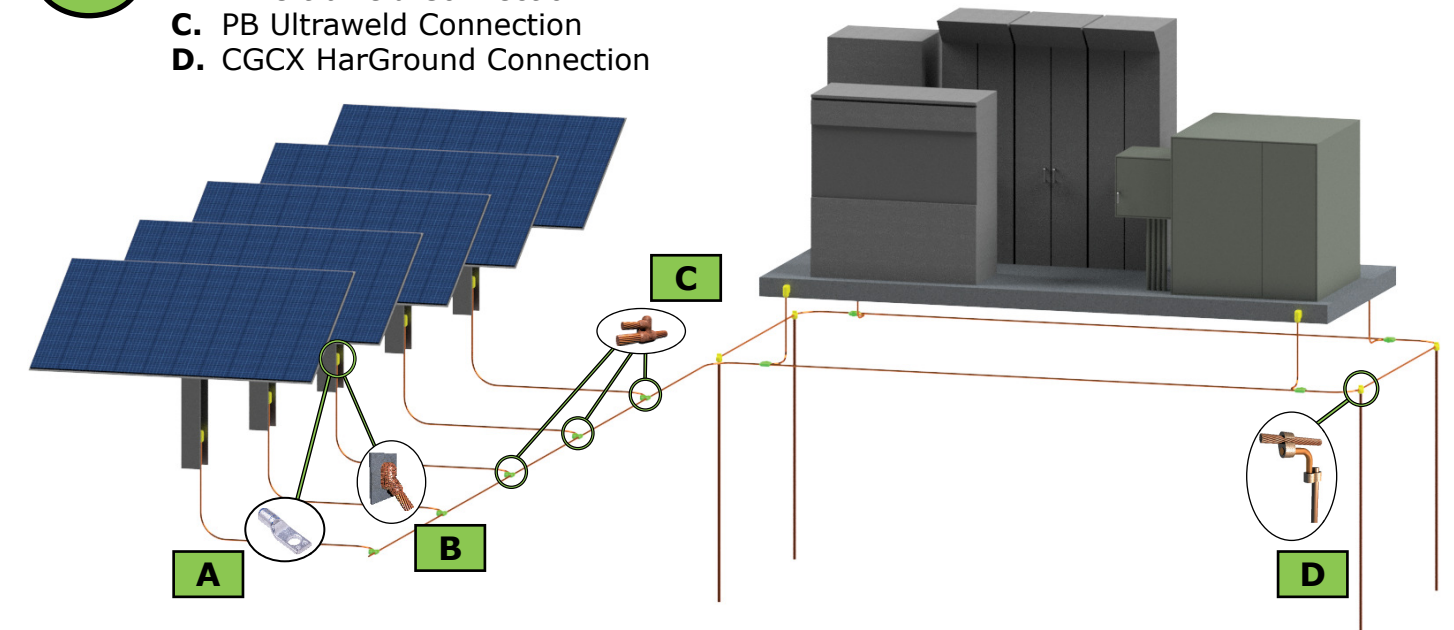
# Grounding & Bonding

# Factory Built Ground Assemblies

Harger understands the strict labor cost and timeline demands of solar projects. To help our customers control both, we offer solutions such as factory built grounding assemblies that can be connected (exothermically or with high compression) on-site. This reduces the number and variety of field connections required.

These pre-configured grounding assemblies are sent on spools marked for their specific location on the job site, and ready for final connections to the panel frames and equipment. This reduction of field made connections which means easier and faster installations. For this example, A, B and D represent the field connections and C the factory connections.

- 3**
- A. Compression Hole Lug
  - B. VA Ultraweld Connection
  - C. PB Ultraweld Connection
  - D. CGCX HarGround Connection



Harger's technical support group can help design custom bonding and grounding assemblies to address the unique requirements of your installation. Additionally our field network can provide support and training, keeping your project on schedule and on budget.



# Permanent Ground Connections

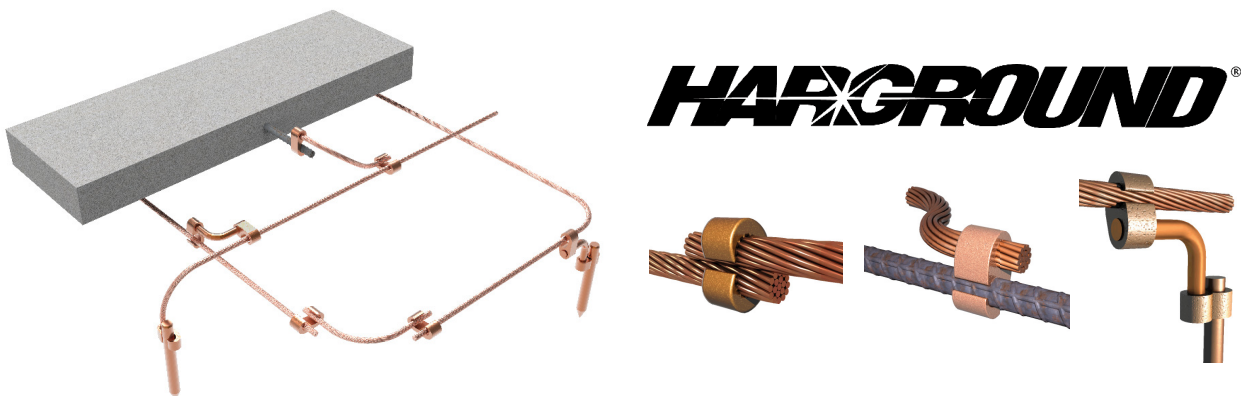
## Exothermic Connections

Harger offers both traditional tube and electronic ignition options for exothermic connections. The Ultrashot ignition system provides superior safety by moving the contractor farther away from the connection. Both methods provide a permanent solution where the conductivity of the connection is equal to or greater than that of the conductors utilized.



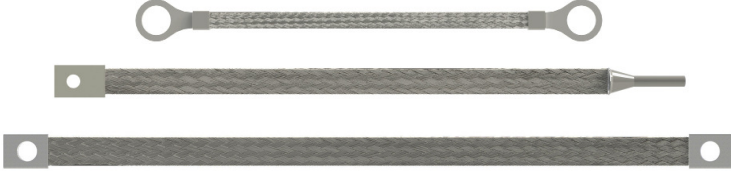
## Compression Connections

Where compression connections are preferred, HarGround is your answer for building a reliable grounding network. Harger manufactures all common connection styles and utilizes standard die sets for crimping.



# Standard or Custom Bonding Jumpers

Harger offers a full line of bonding jumpers and hardware. For projects requiring unique designs, our technical staff can provide solutions and submittals to address any mounting requirement.



# Conductors



Harger manufactures ground conductors from 12 AWG to 1000 MCM. Bare, tinned and insulated conductors are available.

# Total Source for Bonding & Grounding Products

<b>Grounding</b>	<b>Bonding</b>	<b>Support</b>
Exothermic Connections	Braid Assemblies	Factory Built Assemblies
Compression Connections	Compression Lugs	Design Resources
Grounding Connectors	Mechanical Clamps	Field Support Network



Approximately 35 miles from Chicago, the corporate office and 65,000 square foot facility is located in Grayslake, Illinois.



Another 75,000 square foot manufacturing plant, approximately 110 miles south of Raleigh, is located in Fairmont, North Carolina.

Established in 1960, Harger manufactures high quality products and combines them with exceptional customer service and technical expertise. Harger has the resources and partnerships to support your needs from planning stages to project completion.

### **Harger Lightning & Grounding**

301 Ziegler Drive, Grayslake, IL 60030  
p. 800.842.7437 • 847.548.8700  
[www.harger.com](http://www.harger.com) • [hargersales@harger.com](mailto:hargersales@harger.com)

