

HARGER®



Tower Bonding Clamp

Grounding Points for Tower Equipment and Structures



FEATURES

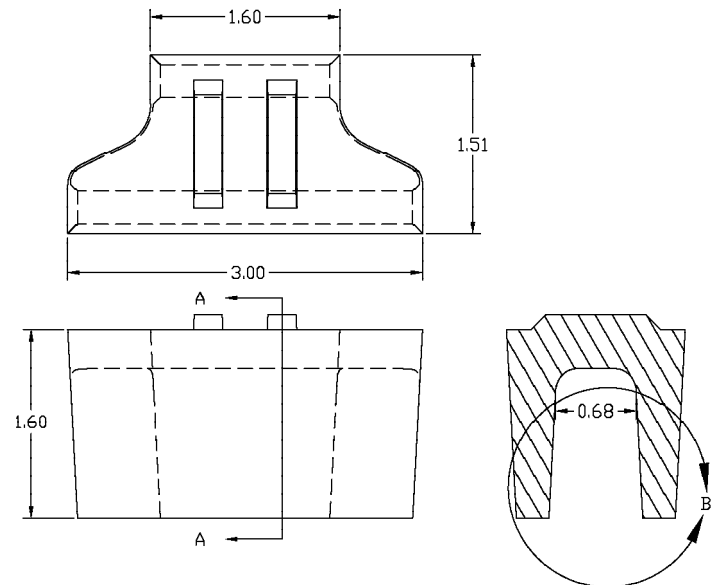
Harger Tower Bonding Clamps consist of a heavy-duty cast bronze clamp with a range of single hole and double hole lugs. They provide a secure grounding point for structures including communication towers. Compression lugs come attached to the clamp and ready for field termination. Tamper-proof hardware options are available for theft deterrence.

- Simple one or two bolt installation
- Wide flange range (0.125" - 0.625")
- UL 467 Listed (10 AWG to 1/0)



| One Hole Lugs | | |
|---------------|-----------|------------|
| Harger SKU | Wire Size | Harger Lug |
| TBC10 | #10 | GECL103/8 |
| TBC8 | #8 | GECL83/8 |
| TBC6 | #6 | GECL63/8 |
| TBC4 | #4 | GECL43/8 |
| TBC2 | #2 | GECL23/8 |
| TBC1/0 | 1/0 | GECL1/0 |

| Two Hole Lugs | | |
|---------------|-----------|------------|
| Harger SKU | Wire Size | Harger Lug |
| TBC210 | #10 | GECL102 |
| TBC28 | #8 | GECLB82 |
| TBC26 | #6 | GECLB62 |
| TBC24 | #4 | GECLB42 |
| TBC22 | #2 | GECLB22 |
| TBC21/0 | 1/0 | GECLB1/02 |



HARGER[®]

grounding | exothermic | lightning protection

301 Ziegler Dr • Grayslake, IL 60030

800.842.7437 • www.harger.com • sales@harger.com

